

R y R*: ajustar en funcion del motor o rele usado en cada caso. Para dispositivos de 12v poner un puente.

Title		
CONTROL 4 MOTORES PP + 2 MOTORES CC + 4 PWM		
Size	Document Number	Rev
A3	<Doc>	
Date:	Wednesday, February 01, 2006	Sheet 1 of 1

CFS v3**CONTROL 4 MOTORES PP + 2 MOTORES CC + 4 PWM + 3 bit control**

Bill Of Materials February 1,2006 13:12:20 Page1

Item	Quantity	Reference	Part
1	4	ARJ1,ARJ2,ARJ3,ARJ4	ARJ45 ci acod
2	1	C1	10uF
3	1	C2	1000uF 25v
4	9	C3,C4,C5,C6,C10,C11,C12, C13,C14	100n
5	5	C7,C8,C9,C16,C17	1uF
6	1	C15	470uF 25v
7	2	C18,C19	3p3
8	4	D1,D2,D5,D6	L Bicolor
9	4	D3,D4,D7,D8	1N4148
10	1	D9	1N5402 (3A)
11	1	D10	1N4004
12	1	D11	LED rojo
13	1	D12	LED verde
14	1	JP1	CON 4
15	2	J2,J1	CON5
16	1	J3	HEADER 5X2
17	3	J4,J5,J6	CON3
18	1	J7	CON4
19	2	Q2,Q1	BC337
20	1	R1	4k7 SIP 9
21	7	R2,R3,R13,R14,R17,R23, R25	2K2
22	8	R4,R5,R6,R7,R15,R16,R18, R19	R
23	1	R8	8K2
24	8	R9,R10,R11,R12,R20,R21, R22,R24	4K7
25	5	R26,R27,R28,R29,R30	1K
26	3	R31,R32,R33	0
27	4	R34,R35,R36,R37	R*
28	1	S1	RESET
29	1	U1	DS87C520-WCL
30	5	U2,U3,U4,U5,U6	L293D
31	1	U7	MAX232A
32	1	U8	LM7805
33	1	Y1	22.11 MHz

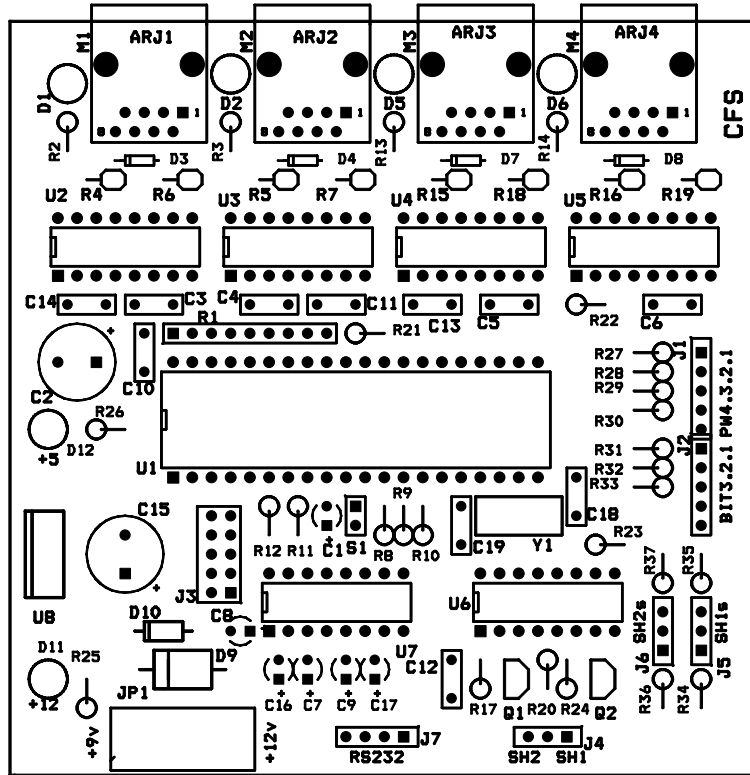
34 1 Disipador para U8

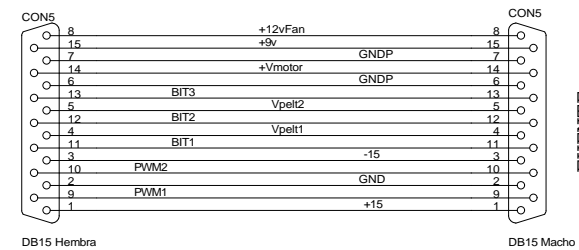
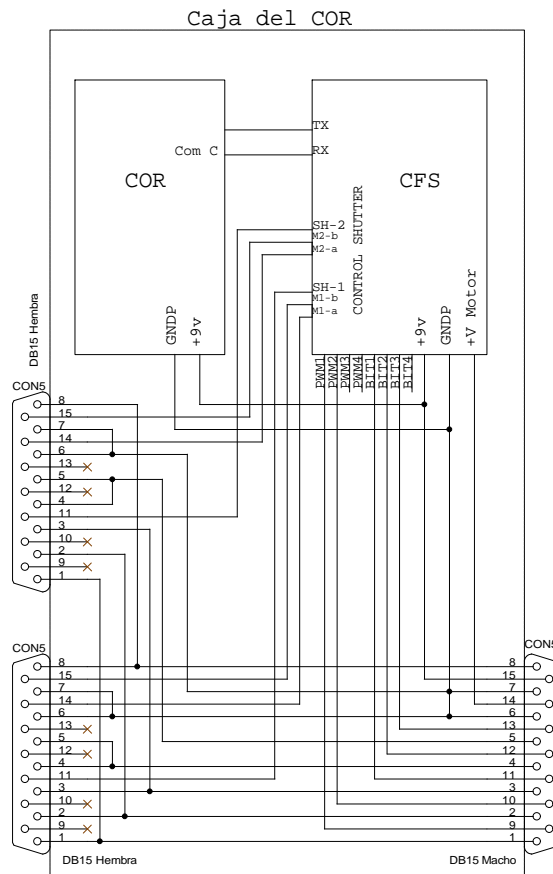
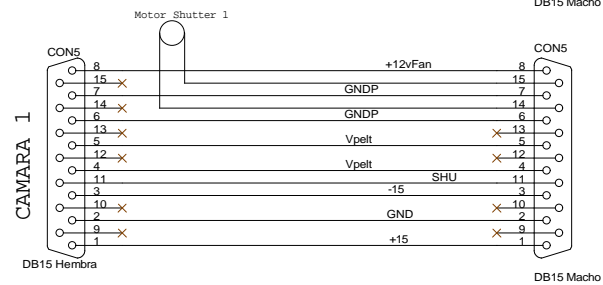
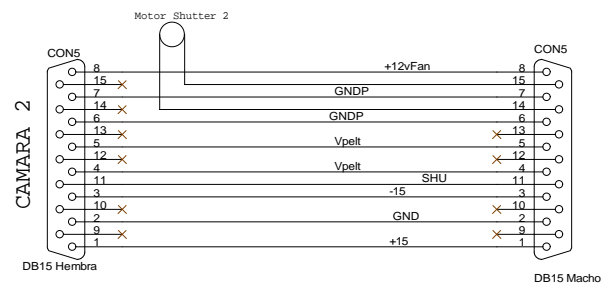
NOTAS:

R y R* dependen del motor usado, para dispositivos de 12v colocar un puente.

J1 a J7 se obtienen de una tira de pin cuadrado macho-macho

C1, C18, C19, R8 no necesarios con micro AT89S8253





Title		
Cableado COR - CFS.		
Size	Document Number	Rev
A3	<Doc>	<Rev Code>
Date:	Tuesday, February 07, 2006	Sheet 1 of 1