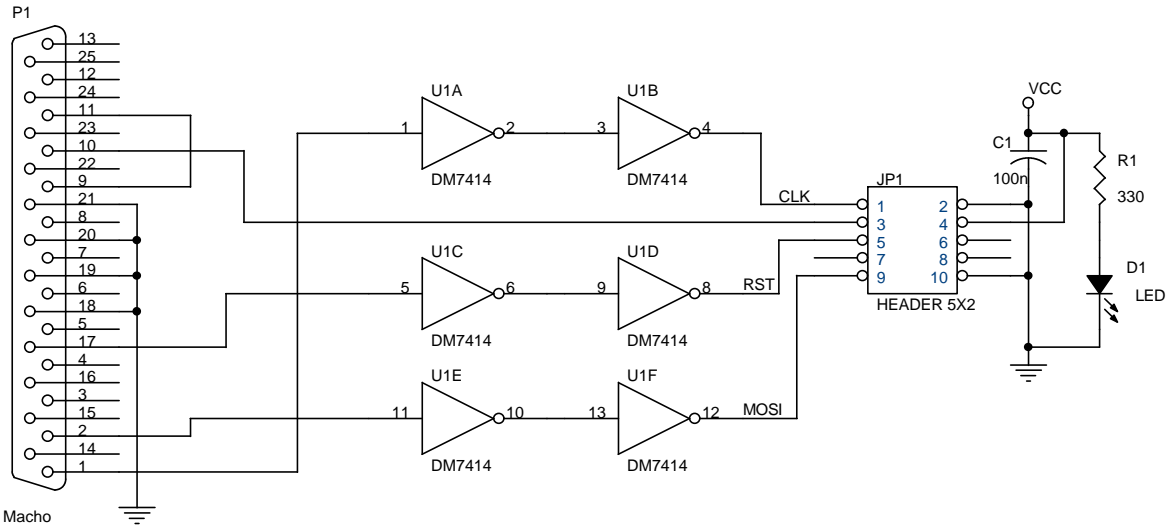


5 4 3 2 1



D

D

C

C

B

B

A

A

Title		
<Title>		
Size	Document Number	Rev
A4	<Doc>	<RevCode>
Date:	Wednesday, December 07, 2005	Sheet 1 of 1

5 4 3 2 1

